

Standby UPS Systems

Protect wireless networks, smart devices, computers and other electronics against blackouts, brownouts, surges and line noise.



- Provide battery backup to keep networks and connected devices working through power problems, including outages
- Guard against power spikes and filter out data- and equipment-damaging EMI/RFI line noise
- Most models include a port to communicate with a computer, enabling graceful shutdown during extended blackouts
- 20+ models with capacities from 300 VA to 1.4 kVA

Line-Interactive UPS Systems

Provide the protection of a standby UPS, plus voltage regulation for improved brownout protection and battery life.



- Automatic Voltage Regulation (AVR) corrects voltage fluctuations without draining battery power
- Provide AC power protection from blackouts, brownouts and transient surges
- USB and/or serial port supports power management through your operating system or free PowerAlert software
- Models with LCD screens provide enhanced information and control from the front panel
- 30+ models with capacities from 300 VA to 1.5 kVA

SmartPro® Line-Interactive UPS Systems

Protect larger computer systems and servers with more battery backup capacity, plus premium features for network-grade protection against downtime, damage and data loss.



- Automatic Voltage Regulation (AVR) maintains safe nominal voltage levels without using battery power
- Many models adapt from rack-mount to tower or stacking applications to help you optimize available space
- Protect equipment against power surges and disruptive line noise
- Optional external battery packs extend backup runtime (select models)
- Switched outlet banks provide enhanced load control (select models)
- Network card slot or pre-installed card enables remote monitoring and control (select models)
- 70+ models with capacities from 500 VA to 5 kVA

 Find your solution in our selection of 4,000+ products at tripplite.com.

SmartOnline® UPS Systems

Provide mission-critical equipment with the highest level of power protection.

- True on-line UPS systems use double-conversion technology to continually convert incoming AC power into filtered DC power, then resynthesize it back into AC power with a pure sine wave
- Provide reliable battery backup with zero transfer time to keep networks up and running through short blackouts and allow enough time to save data and shut down safely during longer power outages
- Accept a wide range of incoming voltage and frequency variations, delivering the most consistently pure, highly regulated power: ± 3 or ± 2 VAC
- Network card slot or pre-installed card enables remote monitoring and control
- Optional external battery packs extend backup runtime
- 70+ models with capacities from 750 VA to 20 kVA



SmartOnline 3-Phase UPS Systems

Protect high-density environments, commercial buildings and industrial applications – reliable 3-phase backup with expandable battery capacity ensures high availability.

- Deliver true on-line, pure sine wave operation with zero transfer time to battery
- Generator-friendly designs lower installation costs
- Voltage- and frequency-independent (VFI) operation and advanced IGBT rectifier technology with digital signal processor (DSP) control provide reliable output power quality
- Low input Total Harmonic Distortion (THDi) enables 1:1 sizing of UPS systems to generators
- Wide input voltage range saves battery power and decreases battery wear
- Optional external battery packs extend backup runtime
- Hot-swap battery and power modules (select models)
- 30+ models with capacities from 20 to 140 kVA



Find your solution in our selection of 4,000+ products at tripplite.com.

SmartRack® Premium Racks, Enclosures and Accessories

Organize and secure network servers, storage and network/telecom equipment.

- Rack styles range from open-frame racks without sides or doors to lockable rack cabinets with front and rear doors and side panels
- Wall-mount racks are ideal for applications where floor space is limited
- Floor-standing racks have rolling casters to facilitate placement
- Sturdy steel construction supports high-density equipment
- Options such as clear acrylic doors, hinged wall brackets, seismic ratings and sound suppression add flexibility to your data center design
- 200+ models of EIA-compliant rack enclosures, open frame racks, wall-mount cabinets and accessories



KVM Switches & Console Servers

Convenient control of multiple PCs or servers from a single local or remote console (keyboard, monitor and mouse).



- Manage PCs and servers across the room, in another room or on another floor of the building
- IP KVM switches add access and control from anywhere with a network connection
- Console KVMs include a built-in keyboard, mouse and LCD monitor that fold into a 1U rack drawer
- 60+ models of desktop and rack-mount KVMs
- Also available: Console servers provide secure in-band and out-of-band remote access to serial- and network-connected devices

Gigabit Ethernet Network Switches

Connect devices such as computers, printers and servers to a local area network (LAN), allowing the devices to communicate over the network.



- Unmanaged switches provide plug-and-play setup and Gigabit speeds so users can share bandwidth-intensive files in a workgroup or small office
- Managed switches provide the ability to manage, prioritize and monitor LAN traffic
- Select models include built-in PDU outlets
- Models with Power over Ethernet (PoE) deliver convenient in-line power to equipment like security cameras and IP phones
- High PoE wattage budgets and PoE+ support more devices without overloading the switch
- 20+ desktop and rack-mount models provide up to 24 ports and up to 300W PoE budget

 Find your solution in our selection of 4,000+ products at tripplite.com.

Power Distribution Units (PDUs)

Distribute power to multiple outlets while optimizing space in high-density, high-availability rack environments.

- A variety of styles provide everything from basic power distribution to remote power management
- Horizontal PDUs are installed in the rack and take up one or two rack spaces (1U-2U)
- Vertical PDUs can be mounted on the back or side of the rack, freeing up rack space for other revenue-generating equipment
- Options include local or remote current monitoring, network management, remotely switchable outlets, automatic transfer switch (ATS) for power redundancy and hot-swap capability
- 200+ single-phase and 3-phase models, including basic, metered, monitored and switched PDUs



Close-Coupled Cooling Units

Provide targeted temperature control, lower operating costs and cool hot spots in data centers, server rooms and wiring closets.

- Install easily without requiring floor drains or water collection tanks
- Provide optional or built-in remote management
- Row-based air conditioners: self-contained units provide large amounts of cooling power directly in the rack row
 - Portable air conditioners: compact solutions cool a small server room, rack or hot spot
 - Rack-mount air conditioners: mount inside a rack enclosure
 - Wall-mount air conditioners: mount on a wall-mount rack cabinet
- Also available: Passive cooling uses natural convection and airflow to regulate temperatures



 Find your solution in our selection of 4,000+ products at tripplite.com.



Cables & Connectivity

Answer all your connectivity needs – everything from USB to network cables, over Cat5e/Cat6 extenders, power cords and patch panels, plus solutions to support audio/video and digital signage installations.

- Connect high-speed data networks and power outlets to switches, routers and servers in high-density environments
- Choose from hundreds of cables and adapters, all fully tested to meet or exceed the latest standards
- Copper UTP (Cat5e/6/6a) patch cables up to 61 m, with options for RJ45, CX4, SFP+, QSFP+ and QSFP28 connectors
- Fiber patch cables (62.5/125, 50/125 and 8.3/125) up to 152 m, with options for LC, SC, ST, MTRJ and MTP connectors
- Rack-mount fiber, copper and high-density modular copper/fiber patch panels provide up to 168 ports
- Over Cat5e/Cat6 extenders connect high-resolution video sources to displays over long distances, with options for VGA, component video, DVI, HDMI/HDBaseT™, DisplayPort and USB signals
- A/V over IP extenders transmit audio/video signals over a dedicated IP network infrastructure from any source (analog or digital) to any output (analog or digital)
- 2,000+ models of cables, adapters, couplers, converters, tools, testers, patch panels, extenders, splitters, switches, hubs and extenders cover a huge range of applications

USB & AC Charging Stations

Charge, sync, secure and organize portable devices with mobile carts, wall-mountable and desktop charging stations or standalone chargers

- Provide USB or AC charging for tablets, Chromebooks™, laptops and smartphones
- USB charging carts and charging stations handle up to 48 iPad® or Android® tablets
- AC charging carts and charging stations handle up to 36 Chromebooks, laptops or tablets
- Compact desktop USB and AC charging stations handle up to 10 tablets, e-readers and smartphones
- Standalone USB chargers and batteries provide quick, compact charging without added security
- 40+ models charge up to 48 devices

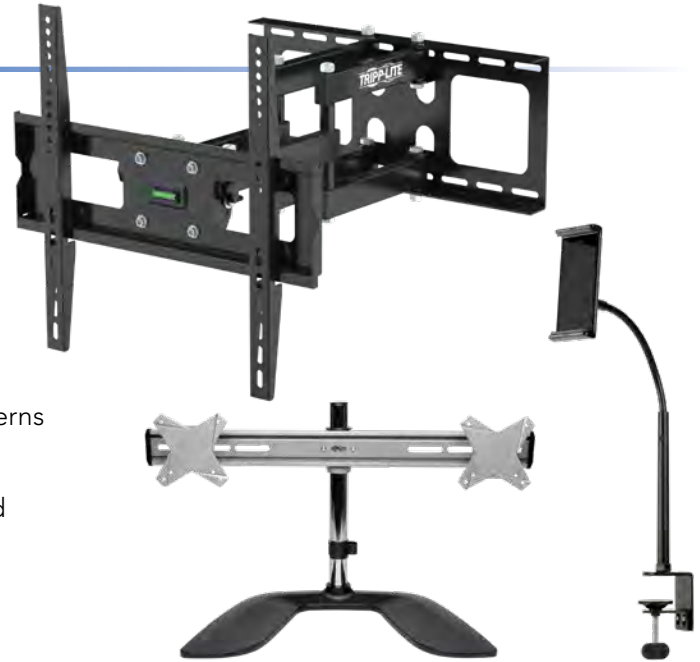


 Find your solution in our selection of 4,000+ products at tripplite.com.

Display Mounts

Save space and improve viewing angles for virtually any type of flat-panel monitor or television.

- Select from three basic types of monitor mounts to accommodate your space and promote ergonomic viewing: wall mounts, ceiling mounts and desk mounts
- Many models include tilt, swivel and rotate capabilities to help you minimize glare and ease neck strain
- All mounts are compliant with VESA hole-mounting patterns to ensure hanging your display is easy
- Choose from over 60 models, including mounts that hold displays up to 100 in. and 159 kg
- Also available: mobile display carts that help you make your audio/video presentation mobile



Power Inverters & DC Power Supplies



Convert DC power into AC power with a power inverter.

Convert AC power into DC power with a DC power supply.

- A power inverter enables electrical equipment and household appliances to operate using the power produced by a car, truck or boat battery
- An inverter/charger with battery-charging capability is typically used to provide AC power during an outage, at a remote site or on the road
- A regulated DC power supply converts 120V AC power into precision-regulated 13.8V DC power ideal for powering test bench supplies, radio base stations, low-power linear amplifiers, transmitters and point-of-sale displays

Voltage Regulators



Extend the life of your sensitive electronics and keep them working at their best by providing optimal AC input voltage.

- Automatic Voltage Regulation (AVR) ensures smooth voltage output
- Keep equipment working during brownouts or prolonged voltage spikes
- Provide surge protection from spikes that could damage the circuitry of your equipment
- Filter out potentially damaging and disruptive EMI/RFI line noise
- Ideal for computers, routers, modems and home theater components



Find your solution in our selection of 4,000+ products at tripplite.com.

Surge Protectors & Power Strips

Protect electronic devices from damaging power surges and disruptive line noise with a surge protector. Simply want some extra AC outlets? A power strip is what you need!

- A surge protector can benefit any device that plugs into an outlet, but the most vulnerable pieces of equipment are those with memory and sensitive electronic circuitry
- Get options such as protection for phone lines, coaxial lines and network lines, USB charging, energy-saving, rotatable outlets and diagnostic LEDs
- Power strips provide as many as 24 outlets for distributing power to devices that don't need surge protection
- Hospital/medical surge protectors and power strips are suitable for use in healthcare environments
- 150+ surge protectors and 80+ power strips



Standing Desk Solutions

Improve workplace ergonomics by customizing desk height for sitting, standing or for the comfort of different users.

- Stand while you work for part of the day to increase metabolism, improve alertness and productivity, reduce fatigue and decrease the risk of repetitive stress injuries
- Adjustable-height desks feature an electric motor with four memory settings for precise adjustments
- Adjustable-height desktop workstations convert existing work surfaces; one-touch height adjustment makes it easy to alternate between sitting and standing



Outstanding reliability and exceptional service have been Tripp Lite trademarks since 1922.

For more information,
contact Tripp Lite or
visit www.tripplite.com.



Manufacturing
Excellence.

